



MAXIPOL System

TOTAL MODULAR POLYESTER CONSTRUCTION

Grey color RAL 7035

Also available in Beige, Dark grey or Green. As an option, possibility to paint the enclosure with any color.

Type of hinges

Internal hinges allow the door to be opened 105°.

Polyurethane gasket

Preformed and premounted throughout the range.

As an option, possibility to get 180° opening hinges.

Back plate fixing

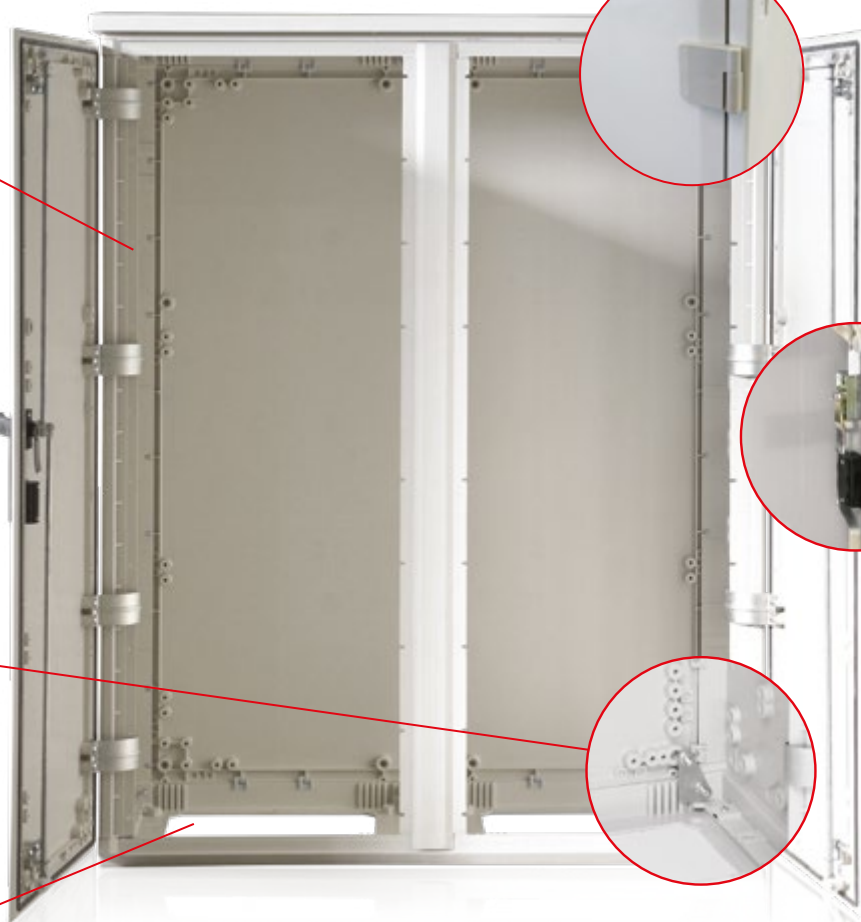
All models include brackets for fixing the back plate.

Plate support

Allows the fixation plates. Equipped on all standard enclosures.

Customization

Custom-made manufacturing



Locking systems



3-point locking mechanism operated by swing-handle. Different profile half cylinder locks. [See p22](#)



Modular : Total flexibility

The enclosure modules can be fitted allowing many different combinations:



Vertical



Horizontal



Back to back

Painted steel custom-made roofs adapted to all your combinations.



Degrees of protection

- **IP55** according to IEC 60529
- **IK10** according to IEC 62262 (standard)
- **IK08** according to IEC 62262 (glazed window)



Self-extinguishing

to 960° C

Top cover modules

- Flat top (**IP55**)
- Rain canopy, front and back ventilation (**IP43 or IP55 on request**)



Two depths

300 and 420 mm.
For electronics, 19" racks, public lighting, etc



Technical data

Fibreglass reinforced polyester Enclosure (GRP)	RAL-7035 colour	IEC 62208
Double Insulation	Classe II	IEC-62262
Mechanical (Impact) Resistance	IK10	IEC-60529
Protection against dust-water	IP-55	EN 60439-1
Thermal Class	A	UNE-21305
Self extinguishing material	960° C	IEC 60695-2
Temperature Range	-30° +105° C	IEC 60670
Rated Voltage	1000V	IEC 60439-5

Fixing systems



Wall-mounting



Floor standing



Pole mounting



Range of products

ENCLOSURES

		Dimensions (mm)	Height x Width → Depth ↓	500x500	500x750	750x500
	300			MX 553 06PG220001	MX 573 06PG230001	MX 753 06PG320001
	420			MX 554 06PH220001	MX 574 06PH230001	MX 754 06PH320001

ACCESSORIES

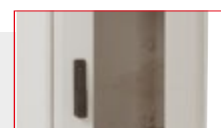
	Polyester mounting plate	300 / 420	PMX55 06PGPP0001	PMX57 06PGPP0002	PMX75 06PGPP0003
	Metallic mounting plate	300 / 420	PMMX55 06PGPM0001	PMMX57 06PGPM0002	PMMX75 06PGPM0003
	Galvanised steel frame	300	MA MX3/500 06PGMM0001	MA MX3/750 06PGMM0002	MA MX3/500 06PGMM0001
		420	MA MX4/500 06PHMM0001	MA MX4/750 06PHMM0002	MA MX4/500 06PHMM0001
	Polyester plinth, 60 mm height	300	ZP MX3/500 06PGZP0001	ZP MX3/750 06PGZP0002	ZP MX3/500 06PGZP0001
		420	ZP MX4/500 06PHZP0001	ZP MX4/750 06PHZP0002	ZP MX4/500 06PHZP0001
	Metallic plinth, 85 mm height	300	ZM MX3/500 06PGZM0001	ZM MX3/750 06PGZM0002	ZM MX3/500 06PGZM0001
		420	ZM MX4/500 06PHZM0001	ZM MX4/750 06PHZM0002	ZM MX4/500 06PHZM0001
	Polyester pedestal with hinged door, 500 mm height, to facilitate the fitting and control of cables	300	ZS MX3/500 06PGPS0001	ZS MX3/750 06PGPS0002	ZS MX3/500 06PGPS0001
		420	ZS MX4/500 06PHPS0001	ZS MX4/750 06PHPS0002	ZS MX4/500 06PHPS0001
	Polyester built-in floor pedestal with hinged door, 375 mm height	300	ZE MX3/500 06PGPE0001	ZE MX3/750 06PGPE0002	ZE MX3/500 06PGPE0001
		420	ZE MX4/500 06PHPE0001	ZE MX4/750 06PHPE0002	ZE MX4/500 06PHPE0001
	Floor brackets	300			
		420			
	Pole mounting Order with the corresponding accessory bracket: 06PGAD0001 or 06PGAD0003		06PFFP0012	06PFFP0013	06PFFP0012

Options

Enclosures are also available with:

- 06PXXXXXX1 → Standard
- 06PXXXXXX2 → Bottom opening
- 06PXXXXXX3 → Rain canopy
- 06PXXXXXX4 → Glazed door

- 06PXXXXXX5 → Bottom opening + rain canopy
- 06PXXXXXX6 → Bottom opening + glazed door
- 06PXXXXXX7 → Glazed door + rain canopy
- 06PXXXXXX8 → Bottom opening + glazed door + rain canopy



750x750	750x1000*	1000x500	1000x750	1000x1000*	1250x500	1250x750	1250x1000*	1250x1250*
MX 773 06PG330001	MX 7103/2P* 06PG340001	MX 1053 06PG420001	MX 1073 06PG430001	MX 10103/2P* 06PG440001	MX 1253 06PG520001	MX 1273 06PG530001	MX 12103/2P* 06PG540001	MX 12123/2P* 06PG550001
MX 774 06PH330001	MX 7104/2P* 06PH340001	MX 1054 06PH420001	MX 1074 06PH430001	MX 10104/2P* 06PH440001	MX 1254 06PH520001	MX 1274 06PH530001	MX 12104/2P* 06PH540001	MX 12124/2P* 06PH550001
PMX77 06PGPP0004	PMX710 06PGPP0005	PMX105 06PGPP0006	PMX107 06PGPP0007	PMX1010 06PGPP0008	PMX125 06PGPP0009	PMX127 06PGPP0010	On request	On request
PMMX77 06PGPM0004	PMMX710 06PGPM0005	PMMX105 06PGPM0006	PMMX107 06PGPM0007	PMMX1010 06PGPM0008	PMMX125 06PGPM0009	PMMX127 06PGPM0010	On request	On request
MA MX3/750 06PGMM0002	MA MX3/1000 06PGMM0003	MA MX3/500 06PGMM0001	MA MX3/750 06PGMM0002	MA MX3/1000 06PGMM0003	MA MX3/500 06PGMM0001	MA MX3/750 06PGMM0002	MA MX3/1000 06PGMM0003	MA MX3/1250 06PGMM0004
MA MX4/750 06PHMM0002	MA MX4/1000 06PHMM0003	MA MX4/500 06PHMM0001	MA MX4/750 06PHMM0002	MA MX4/1000 06PHMM0003	MA MX4/500 06PHMM0001	MA MX4/750 06PHMM0002	MA MX4/1000 06PHMM0003	MA MX4/1250 06PHMM0004
ZP MX3/750 06PGZP0002	ZP MX3/1000 06PGZP0003	ZP MX3/500 06PGZP0001	ZP MX3/750 06PGZP0002	ZP MX3/1000 06PGZP0003	ZP MX3/500 06PGZP0001	ZP MX3/750 06PGZP0002	ZP MX3/1000 06PGZP0003	ZP MX3/1250 06PGZP0004
ZP MX4/750 06PHZP0002	ZP MX4/1000 06PHZP0003	ZP MX4/500 06PHZP0001	ZP MX4/750 06PHZP0002	ZP MX4/1000 06PHZP0003	ZP MX4/500 06PHZP0001	ZP MX4/750 06PHZP0002	ZP MX4/1000 06PHZP0003	ZP MX4/1250 06PHZP0004
ZM MX3/750 06PGZM0002	ZM MX3/1000 06PGZM0003	ZM MX3/500 06PGZM0001	ZM MX3/750 06PGZM0002	ZM MX3/1000 06PGZM0003	ZM MX3/500 06PGZM0001	ZM MX3/750 06PGZM0002	ZM MX3/1000 06PGZM0003	ZM MX3/1250 06PGZM0004
ZM MX4/750 06PHZM0002	ZM MX4/1000 06PHZM0003	ZM MX4/500 06PHZM0001	ZM MX4/750 06PHZM0002	ZM MX4/1000 06PHZM0003	ZM MX4/500 06PHZM0001	ZM MX4/750 06PHZM0002	ZM MX4/1000 06PHZM0003	ZM MX4/1250 06PHZM0004
ZS MX3/750 06PGPS0002	ZS MX3/1000 06PGPS0003	ZS MX3/500 06PGPS0001	ZS MX3/750 06PGPS0002	ZS MX3/1000 06PGPS0003	ZS MX3/500 06PGPS0001	ZS MX3/750 06PGPS0002	ZS MX3/1000 06PGPS0003	ZS MX3/1250 06PGPS0004
ZS MX4/750 06PHPS0002	ZS MX4/1000 06PHPS0003	ZS MX4/500 06PHPS0001	ZS MX4/750 06PHPS0002	ZS MX4/1000 06PHPS0003	ZS MX4/500 06PHPS0001	ZS MX4/750 06PHPS0002	ZS MX4/1000 06PHPS0003	ZS MX4/1250 06PHPS0004
ZE MX3/750 06PGPE0002	ZE MX3/1000 06PGPE0003	ZE MX3/500 06PGPE0001	ZE MX3/750 06PGPE0002	ZE MX3/1000 06PGPE0003	ZE MX3/500 06PGPE0001	ZE MX3/750 06PGPE0002	ZE MX3/1000 06PGPE0003	ZE MX3/1250 06PGPE0004
ZE MX4/750 06PHPE0002	ZE MX4/1000 06PHPE0003	ZE MX4/500 06PHPE0001	ZE MX4/750 06PHPE0002	ZE MX4/1000 06PHPE0003	ZE MX4/500 06PHPE0001	ZE MX4/750 06PHPE0002	ZE MX4/1000 06PHPE0003	ZE MX4/1250 06PHPE0004
	MX3 CF 06PGEF0001	(Set of 2 pieces)						
	MX4 CF 06PHEF0001	(Set of 2 pieces)						

06PFFP0013 - 06PFFP0012 06PFFP0013 - 06PFFP0012 06PFFP0013 - -



Example :

06PG230043 = enclosure 500mm height x 750mm width x 300mm depth, triangular 11mm lock and rain canopy.

* Two door enclosures are supplied with a central doorpost piece. On request it can be fixed, removable or integrated.

Packaging information. See p30-35

Accessories

Locking systems

All our standard enclosures are supplied with 2 double bit locks 3.0 mm. Order your enclosures with customized locking systems by simply changing the number before the last number of the product reference:

Example : 06PG2300**43** = enclosure 500mm height x 750mm width x 300mm depth, triangular 11mm lock and rain canopy

Swing-handle

Wide range of locking devices with swing handle to suit the complete range of enclosures.

*Transform the number before the last one of reference to choose the type of locking device.



Ref. accessories	06PGCR0001	06PGCR0002	06PGCR0003	06PGCR0004	06PGCR0005
Ref. mounted*	06PXXXXX0X	06PXXXXX2X	06PXXXXX3X	06PXXXXX4X	06PXXXXX5X

Wall fixing lugs (Set of 4 pieces)

For standard enclosures & for enclosures with rain canopy:



Galvanized (standard) :
Ref. 06PGAD0001

Galvanized (with rain canopy) :
Ref. 06PGAD0003

Door stop

Maximum door opening angle 105°.



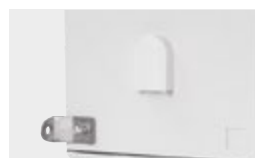
Ref. 06PGAD0005

Ventilation device

To allow ventilation in the enclosure. Made of polyester. (Two air vents must be mounted per enclosure to ensure the correct air circulation)



Device RAL 7035
Ref. 06PEAD0002



IP54 device 150x150mm
Ref. 06PEAD0003



Document pocket

Self-adhesive.



Ref. 06PGAD0006

Step slides

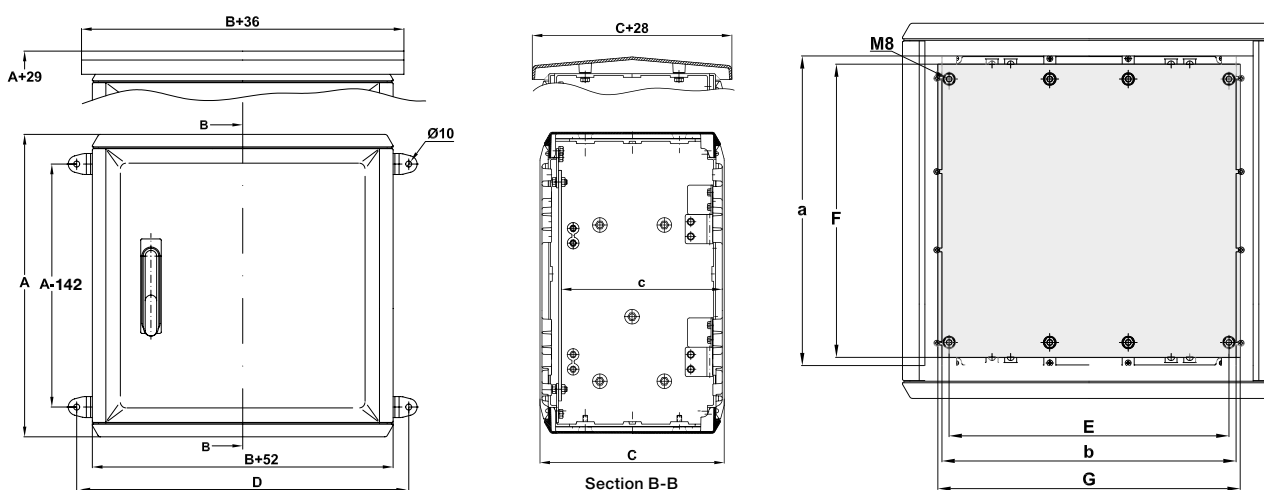
Set of 4 step slides with brackets allowing continuous depth adjustment of the mounting plate.:

For enclosures 300 mm depth:
Ref. 06PGAD0007

For enclosures 420 mm depth:
Ref. 06PHAD0001



Dimensional



Enclosure dimensions (mm)

Mounting plate (mm)

Designation	A	a	B	b	C	c	D	E	F	G
MX 553 / MX 554	510	412	500	405	312/420	274/382	605	375	393	405
MX 573 / MX 574	510	412	750	655	312/420	274/382	855	625	393	655
MX 753 / MX 754	760	662	500	405	312/420	274/382	605	375	643	405
MX 773 / MX 774	760	662	750	655	312/420	274/382	855	625	643	655
MX 7103/2P / MX 7104/2P	760	662	1000	905	312/420	274/382	1105	875	643	905
MX 1053 / MX 1054	1010	912	500	405	312/420	274/382	855	375	893	405
MX 1073 / MX 1074	1010	912	750	655	312/420	274/382	855	625	893	655
MX 10103/2P / MX 10104/2P	1010	912	1000	905	312/420	274/382	1005	875	893	905
MX 1253 / MX 1254	1260	1162	500	405	312/420	274/382	605	375	1143	405
MX 1273 / MX 1274	1260	1162	750	655	312/420	274/382	855	625	1143	655
MX 12103/2P / MX 12104/2P	1260	1162	1000	905	312/420	274/382	1105	875	1143	905
MX 12123/2P / MX 12124/2P	1260	1162	1250	1155	312/420	274/382	1305	1125	1143	1155