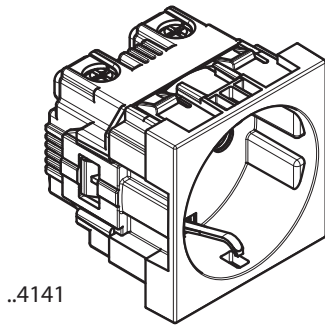


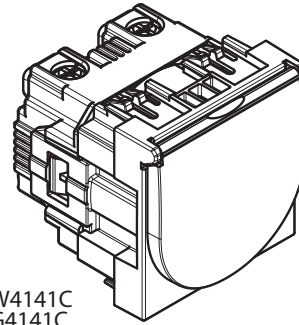
Classia

Socket outlet - German standard

**RW4141 - RG4141
R4141R - R4141A - R4141V
RW4141C - RG4141C**



..4141



RW4141C
RG4141C

Use

Socket outlets for: German standard plugs.

Range

Designation

Item

Socket 2P+E 16A 250 Va.c. - socket with earth side contacts - shielded tulip contacts

- RW4141
- RG4141
- R4141R
- R4141A
- R4141V

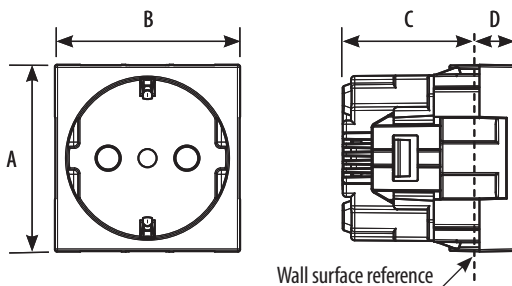
Socket 2P+E 16A 250 Va.c. - socket with earth side contacts - shielded tulip contacts with IP20 Flap

- RW4141C
- RG4141C

Color code:

□ White colour ■ Black colour ■ Red colour
■ Orange colour ■ Green colour

Overall dimensions (mm)



	A	B	C	D
..4141	45.1	44.7	31.7	9.8
..4141C	45.1	44.7	31.7	13.3

Connection

Terminal type: screw clamp
Terminal capacity: 2 x 4 mm² max
Stripping length: 11 mm
Compatible with flexible or rigid cables

Technical characteristics

- Protection index

(considering a complete installation, including cover plate)
Penetration by solid bodies/liquid: IP20D

- Mechanical characteristics

Impact test: IK 04

- Material characteristics

Case and Key cover: PC (Polycarbonate)

Halogen free.

UV resistant.

Self-extinguishing:

850° C / 30 s for insulating parts holding live parts in place
650° C / 30 s for other parts made of insulating materials

- Electrical characteristics

Voltage: 250 VAC

Current: 16 A

- Climatic characteristics

Storage temperature: - 10° C to + 70° C

Use temperature: - 5° C to + 35° C

Cleaning

Clean the surface with a cloth.

Do not use acetone, tar-removing cleaning agents or trichloroethylene.

Caution: Always test before using special cleaning products.

Standards and approvals

Compliance with standards IEC 60884-1.

Refer to e.catalogue.