



SIRCOVER

Manual Transfer Switching Equipment
from 125 to 3200 A

Transfer switches



SIRCOVER
250 A



SIRCOVER Bypass
500 A

The solution for

- > Manufacturing
- > Power distribution



Strong points

- > Complete range
- > Easy to connect
- > Stable positions
- > On-load switching

Conformity to standards

- > IEC 60947-6,-1
- > IEC 60947-3
- > GB/T 14048-11



Approvals and certifications⁽¹⁾



BUREAU
VERITAS

⁽¹⁾ Product references on request.

SIRCOVER in enclosure



See "Enclosed transfer switches" page XXX.

Function

SIRCOVER products are manually operated transfer switches with positive break indication. There are 4 ranges in the series:

- **SIRCOVER** for open transition switching (I-0-II) available in 3 or 4 pole.
- **SIRCOVER** for overlapping contact switching (I-I+II-II). For applications where both sources are synchronised and there is to be no interruption to the load supply during transfer - available in 3 or 4 pole.
- **SIRCOVER Bypass**. This combination of three interlocked load break switches provides 3+6 or 4+8 poles for bypass applications.
- **SIRCOVER Bypass** for overlapping contact switching (I-I+II-II). This combination of three interlocked load break switches provides bypass to an UPS or other devices when sources are synchronised and the UPS is on static bypass mode.

They provide on-load transfer between two sources for any low voltage power circuit, as well as safety isolation by double breaking per pole. Other applications include source inversion (e.g. to change the direction of a motor) or grounding/earthing.

Advantages

A complete range

There are 4 SIRCOVER models to meet every need: The standard model I-0-II, the overlapping contact model I-I+II-II, the bypass model and the bypass with overlapping contact model I-I+II-II.

Easy to connect

For ratings of 2000 to 3200 A, we offer copper bar connection pieces. This gives you the option of different connection methods - flat, edgewise with top or bottom bridging.

Stable positions

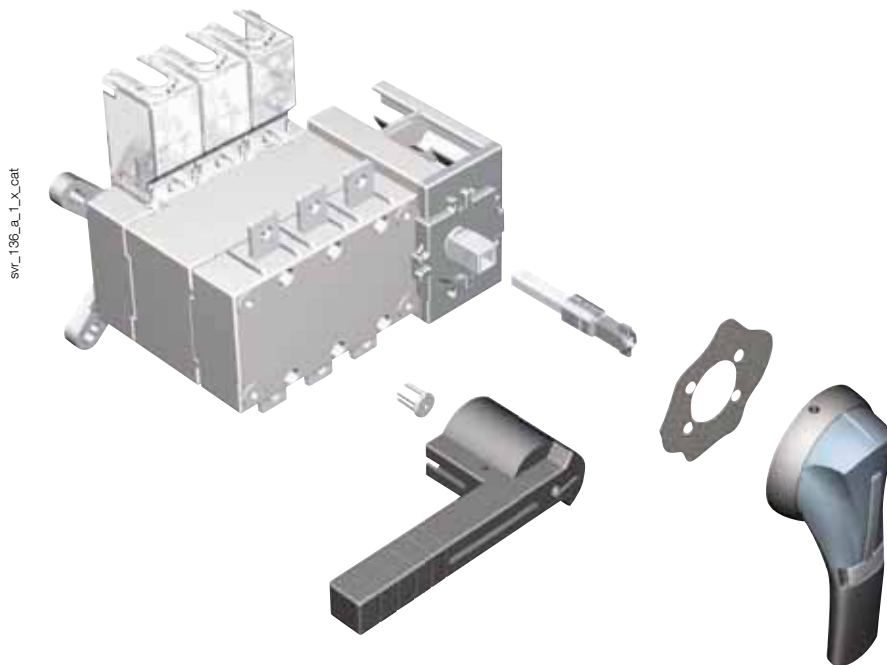
SIRCOVER devices have three stable positions, unaffected by voltage fluctuations and vibrations, protecting your loads from network disturbances.

On-load switching

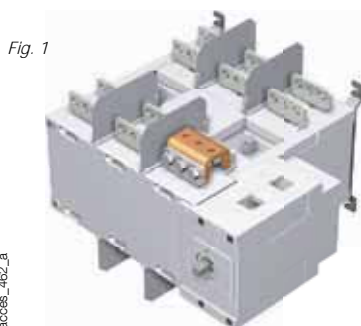
With its AC-23 and AC-33 characteristics, tested according to standards IEC 60947-3 and IEC 60947-6-1, the SIRCOVER enables safe on-load switching for any type of load. With its on-load transfer capabilities, it is not necessary to isolate loads prior to transfer therefore the SIRCOVER offers an economical solution.

What you need to know

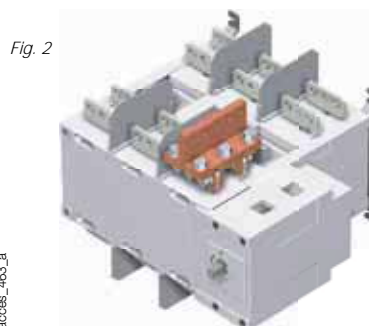
- SIRCOVER (I-0-II) switches have **3 stable positions** and are available as 3 or 4 pole models with ratings of 63 to 3200 A. They are available in steel or polyester enclosures (125 to 1600 A).
- SIRCOVER switches with **3 overlapping contact positions (I-I+II-II)** are available as 3 or 4 pole models from 125 to 1600 A. They are available in steel enclosures.
- With **3 stable positions (I-0-II)** or **3 overlapping contact positions (I-I+II-II)**, SIRCOVER Bypass devices are a combination of three interlocked switches enabling the use with 3+6 or 4+8 poles from 125 to 1600 A. They are available in steel enclosures.
- All SIRCOVER can be operated with **direct front operation** or **external handles**.



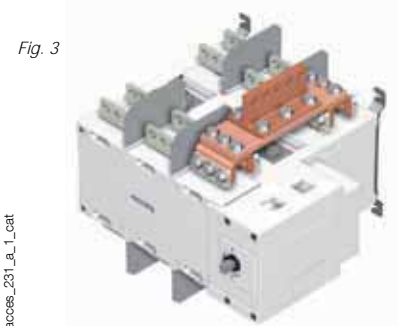
- **Connection pieces for copper bars** allows the connection between the 2 power terminals of the same pole (Fig. 1 and 2) and the bridging of switch I and switch II on the top or the bottom for ratings 2000, 2500 and 3200 A (Fig. 3).



Top or bottom
flat connection



Top or bottom
edgewise connection



Top or bottom
bridging connection

SIRCOVER

Manual Transfer Switching Equipment
from 125 to 3200 A

References

SIRCOVER I-0-II

Rating(A) / Frame size	No. of poles	Switch body	Direct handle	External handle	Shaft for external handle	Bridging bars	Auxiliary contact	Terminal shrouds	Terminal screens												
125 A / B3	3 P	41AC 3013	J2 type Blue 1122 1111 Red 1123 1111	S2 type Black IP55 1421 2113 IP65 1423 2113 ⁽¹⁾	200 mm 1400 1020	3 P 4109 3019 4 P 4109 4019	1 st /2 nd NO/NC contact 4109 0021 ⁽²⁾	3 P 2694 3014 ⁽³⁾⁽⁴⁾ 4 P 2694 4014 ⁽³⁾⁽⁴⁾	3 P 1509 3012 4 P 1509 4012												
	160 A / B3	3 P								41AC 3016	3 P 4109 3019	3 P 2694 3014 ⁽³⁾⁽⁴⁾	3 P 1509 3012								
4 P		41AC 4016				4 P 4109 4019		4 P 2694 4014 ⁽³⁾⁽⁴⁾	4 P 1509 4012												
200 A / B3	3 P	41AC 3020				J3 type Black 1132 1111		S4 type Black IP65 1443 3113	200 mm 1401 1520	3 P 4109 3025 4 P 4109 4025	1 st and 2 nd NO/NC contact 4109 0021 ⁽²⁾	3 P 2694 3021 ⁽³⁾⁽⁴⁾ 4 P 2694 4021 ⁽³⁾⁽⁴⁾	3 P 1509 3025 4 P 1509 4025								
	250 A / B4	3 P												41AC 3025	3 P 4109 3025	3 P 2694 3021 ⁽³⁾⁽⁴⁾	3 P 1509 3025				
4 P		41AC 4025								4 P 4109 4025		4 P 2694 4021 ⁽³⁾⁽⁴⁾	4 P 1509 4025								
315 A / B4	3 P	41AC 3031								J3 type Black 1132 1111		S4 type Black IP65 1443 3113	320 mm 1401 1032 ⁽¹⁾	3 P 4109 3039 4 P 4109 4039	1 st and 2 nd NO/NC contact 4109 0021 ⁽²⁾	3 P 2694 3021 ⁽³⁾⁽⁴⁾ 4 P 2694 4021 ⁽³⁾⁽⁴⁾	3 P 1509 3025 4 P 1509 4025				
	400 A / B4	3 P																41AC 3040	3 P 4109 3039	3 P 2694 3021 ⁽³⁾⁽⁴⁾	3 P 1509 3025
4 P		41AC 4040												4 P 4109 4039		4 P 2694 4021 ⁽³⁾⁽⁴⁾	4 P 1509 4025				
500 A / B5	3 P	41AC 3050												J3 type Black 1132 1111		S4 type Black IP65 1443 3113	320 mm 1401 1532 ⁽¹⁾	4109 3050 4109 4050 4109 3063 4109 4063	1 st and 2 nd NO/NC contact 4109 0021 ⁽²⁾	3 P 2694 3051 ⁽³⁾⁽⁴⁾ 4 P 2694 4051 ⁽³⁾⁽⁴⁾	3 P 1509 3063 4 P 1509 4063
	630 A / B5	3 P																			
4 P		41AC 4063																4109 4050		4 P 2694 4051 ⁽³⁾⁽⁴⁾	4 P 1509 4063
800 A / B6	3 P	41AC 3080	J3 type Black 1132 1111	S4 type Black IP65 1443 3113	200 mm 1401 1520		3 P 4109 3080 4 P 4109 4080											1 st and 2 nd NO/NC contact 4109 0021 ⁽²⁾		3 P 2694 3051 ⁽³⁾⁽⁴⁾ 4 P 2694 4051 ⁽³⁾⁽⁴⁾	3 P 1509 3080 4 P 1509 4080
	1000 A / B6	3 P																			
4 P		41AC 4100					4 P 4109 4080													4 P 2694 4051 ⁽³⁾⁽⁴⁾	4 P 1509 4080
1250 A / B6	3 P	41AC 3120				J3 type Black 1132 1111	S4 type Black IP65 1443 3113	320 mm 1401 1532 ⁽¹⁾	4109 3120 4109 4120		1 st and 2 nd NO/NC contact 4109 0021 ⁽²⁾									3 P 2694 3051 ⁽³⁾⁽⁴⁾ 4 P 2694 4051 ⁽³⁾⁽⁴⁾	3 P 1509 3160 4 P 1509 4160
	1600 A / B7	3 P																			
4 P		41AC 4160							4109 4120											4 P 2694 4051 ⁽³⁾⁽⁴⁾	4 P 1509 4160
2000 A / B8	3 P	41AC 3200							S5 type Black 2799 7042	S5 type Black IP65 1453 8113		200 mm 2799 3015	4109 3160 4109 4160		1 st and 2 nd NO/NC contact 4109 0021 ⁽²⁾					3 P 2694 3051 ⁽³⁾⁽⁴⁾ 4 P 2694 4051 ⁽³⁾⁽⁴⁾	3 P 1509 3160 4 P 1509 4160
	2500 A / B8	3 P																			
4 P		41AC 4200											4109 4160							4 P 2694 4051 ⁽³⁾⁽⁴⁾	4 P 1509 4160
3200 A / B8	3 P	41AC 3320											S5 type Black 2799 7042	S5 type Black IP65 1453 8113		320 mm 2799 3018 ⁽¹⁾	4109 3320 4109 4320		1 st and 2 nd NO/NC contact 4109 0021 ⁽²⁾	3 P 2694 3051 ⁽³⁾⁽⁴⁾ 4 P 2694 4051 ⁽³⁾⁽⁴⁾	3 P 1509 3320 4 P 1509 4320
	3200 A / B8	3 P																			
4 P		41AC 4320															4109 4320			4 P 2694 4051 ⁽³⁾⁽⁴⁾	4 P 1509 4320

(1) Standard.

(2) 2 contacts supplied: one for position I and one for position II.

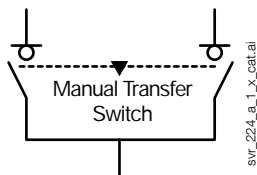
(3) To fully shroud the front and rear at the top and bottom, order quantity 4.

(4) To shroud front switch top and bottom, order quantity 2.

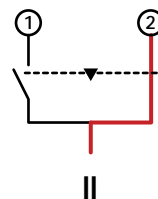
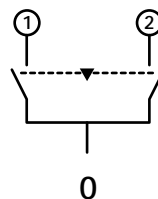
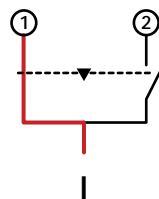
(5) See "Copper bar connection pieces" page 405.

Operating principle

SIRCOVER I-0-II



svr_224_a_1_LX_catal



svr_225_a_1_LX_catal

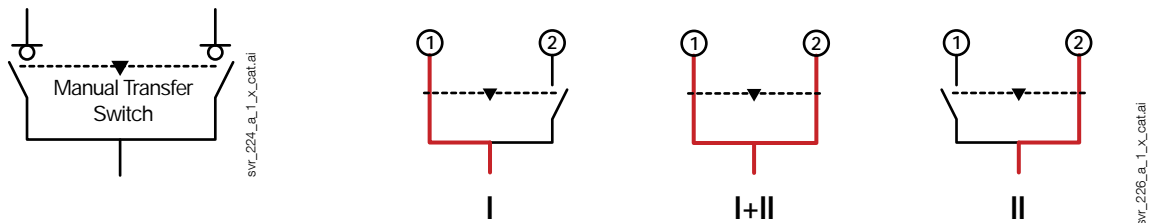
SIRCOVER I-I+II-II

Rating (A) / Frame size	No. of poles	Switch body	Direct handle	External handle	Shaft for external handle	Bridging bars	Auxiliary contact	Terminal shrouds	Terminal screens
125 A / B3	3 P	4190 3013	J2 type Blue 1122 1111 Red 1123 1111	S2 type Blue IP65 1423 2114	200 mm 1400 1020	3 P 4109 3019 4 P 4109 4019	1 st /2 nd NO/NC contact 4109 0021 ⁽²⁾	3 P 2694 3014 ⁽³⁾⁽⁴⁾ 4 P 2694 4014 ⁽³⁾⁽⁴⁾	3 P 1509 3012 4 P 1509 4012
	4 P	4190 4013							
160 A / B3	3 P	4190 3016							
	4 P	4190 4016							
200 A / B3	3 P	4190 3020							
	4 P	4190 4020							
250 A / B4	3 P	4190 3025							
	4 P	4190 4025							
400 A / B4	3 P	4190 3039							
	4 P	4190 4039							
500 A / B5	3 P	4190 3050							
	4 P	4190 4050							
630 A / B5	3 P	4190 3063							
	4 P	4190 4063							
800 A / B6	3 P	4190 3080	J3 type Black 1132 1111	S4 type Blue IP65 1443 3114	200 mm 1401 1520	4109 3080 4109 4080 4109 3120 4109 4120 4109 3160 4109 4160	1 st /2 nd NO/NC contact 4109 0021 ⁽²⁾	3 P 2694 3051 ⁽³⁾⁽⁴⁾ 4 P 2694 4051 ⁽³⁾⁽⁴⁾	3 P 1509 3063 4 P 1509 4063
	4 P	4190 4080							
1250 A / B6	3 P	4190 3120							
	4 P	4190 4120							
1600 A / B7	3 P	4190 3160							
	4 P	4190 4160							

(1) Standard.
(2) 2 contacts supplied: one for position I and one for position II.
(3) To fully shroud the front and rear at the top and bottom, order quantity 4.
(4) To shroud front switch top and bottom, order quantity 2.
(5) See "Copper bar connection pieces" page 405.

Operating principle

SIRCOVER I-I+II-II



Warning: Please note that in I+II position there is an overlapping.
In case of 2 sources, make sure they are synchronised before operating.

SIRCOVER

Manual Transfer Switching Equipment
from 125 to 3200 A

References (continued)

SIRCOVER Bypass I-0-II

Rating (A) / Frame size	No. of poles	Switch body	Direct handle	External handle	Shaft for external handle	Bridging bars	Auxiliary contact	Terminal shrouds	Terminal screens	
125 A / B3	3 P	4100 7013	J2 type Blue 1122 1111	S2 type Blue IP55 1421 2113	200 mm 1400 1020	3 P 2x 4109 3019	1 st /2 nd NO/NC contact 4109 0021 ⁽²⁾	3 P 2694 3014 ⁽³⁾⁽⁴⁾	3 P 1509 3012	
	4 P	4100 9013								4 P 2694 4014 ⁽³⁾⁽⁴⁾
160 A / B3	3 P	4100 7016	Red 1123 1111	Blue IP65 1423 2113 ⁽¹⁾	320 mm 1400 1032 ⁽¹⁾	4 P 2x 4109 4019		3 P 2694 3021 ⁽³⁾⁽⁴⁾	4 P 2694 4021 ⁽³⁾⁽⁴⁾	3 P 1509 3025
	4 P	4100 9016								
200 A / B3	3 P	4100 7020	J3 type Black 1132 1111	S3 type Blue IP65 1433 3113	200 mm 1401 1520	2x 4109 3025		3 P 2694 3021 ⁽³⁾⁽⁴⁾	4 P 2694 4021 ⁽³⁾⁽⁴⁾	3 P 1509 3025
	4 P	4100 9020								
250 A / B4	3 P	4100 7025	J3 type Black 1132 1111	S3 type Blue IP65 1433 3113	320 mm 1401 1532 ⁽¹⁾	2x 4109 3039		3 P 2694 3021 ⁽³⁾⁽⁴⁾	4 P 2694 4021 ⁽³⁾⁽⁴⁾	3 P 1509 3025
	4 P	4100 9025								
400 A / B4	3 P	4100 7039	J3 type Black 1132 1111	S3 type Blue IP65 1433 3113	200 mm 1401 1520	2x 4109 3039		3 P 2694 3021 ⁽³⁾⁽⁴⁾	4 P 2694 4021 ⁽³⁾⁽⁴⁾	3 P 1509 3025
	4 P	4100 9039								
500 A / B5	3 P	4100 7050	J3 type Black 1132 1111	S3 type Blue IP65 1433 3113	320 mm 1401 1532 ⁽¹⁾	2x 4109 3050		3 P 2694 3021 ⁽³⁾⁽⁴⁾	4 P 2694 4021 ⁽³⁾⁽⁴⁾	3 P 1509 3063
	4 P	4100 9050								
630 A / B5	3 P	4100 7063	J3 type Black 1132 1111	S3 type Blue IP65 1433 3113	320 mm 1401 1532 ⁽¹⁾	2x 4109 3063	3 P 2694 3021 ⁽³⁾⁽⁴⁾	4 P 2694 4021 ⁽³⁾⁽⁴⁾	3 P 1509 3063	
	4 P	4100 9063								4 P 2694 4021 ⁽³⁾⁽⁴⁾
800 A / B6	3 P	4100 7080	J4 type Black 1142 1111 ⁽⁵⁾	V2 type Black IP65 4199 7146	200 mm 2799 3015	2x 4109 3080	3 P 2694 3021 ⁽³⁾⁽⁴⁾	4 P 2694 4021 ⁽³⁾⁽⁴⁾	3 P 1509 3080	
	4 P	4100 9080								4 P 2694 4021 ⁽³⁾⁽⁴⁾
1250 A / B6	3 P	4100 7120	J4 type Black 1142 1111 ⁽⁵⁾	V2 type Black IP65 4199 7146	320 mm 2799 3018 ⁽¹⁾	2x 4109 3120	3 P 2694 3021 ⁽³⁾⁽⁴⁾	4 P 2694 4021 ⁽³⁾⁽⁴⁾	3 P 1509 4080	
	4 P	4100 9120								4 P 2694 4021 ⁽³⁾⁽⁴⁾
1600 A / B7	3 P	4100 7160	J4 type Black 1142 1111 ⁽⁵⁾	V2 type Black IP65 4199 7146	450 mm 2799 3019	2x 4109 3160	3 P 2694 3021 ⁽³⁾⁽⁴⁾	4 P 2694 4021 ⁽³⁾⁽⁴⁾	1509 3160	
	4 P	4100 9160								4 P 2694 4021 ⁽³⁾⁽⁴⁾

(1) Standard.

(2) 2 contacts supplied: one for position I and one for position II.

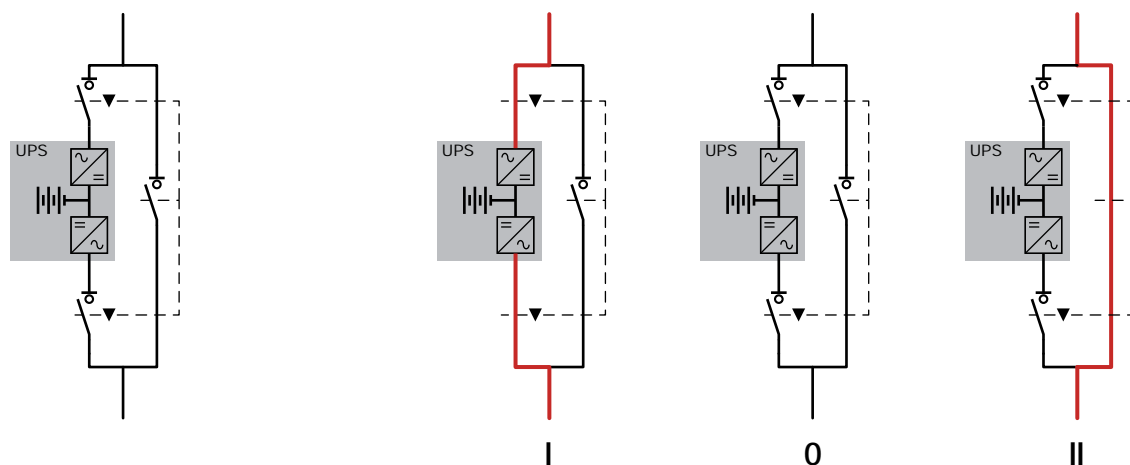
(3) To fully shroud the front and rear at the top and bottom, order quantity 6 (or 4 if using bridging bars).

(4) To shroud front switch top and bottom, order quantity 2.

(5) Double lever handle.

Operating principle

SIRCOVER Bypass I-0-II



svr_227_a_1_x_cat.ai

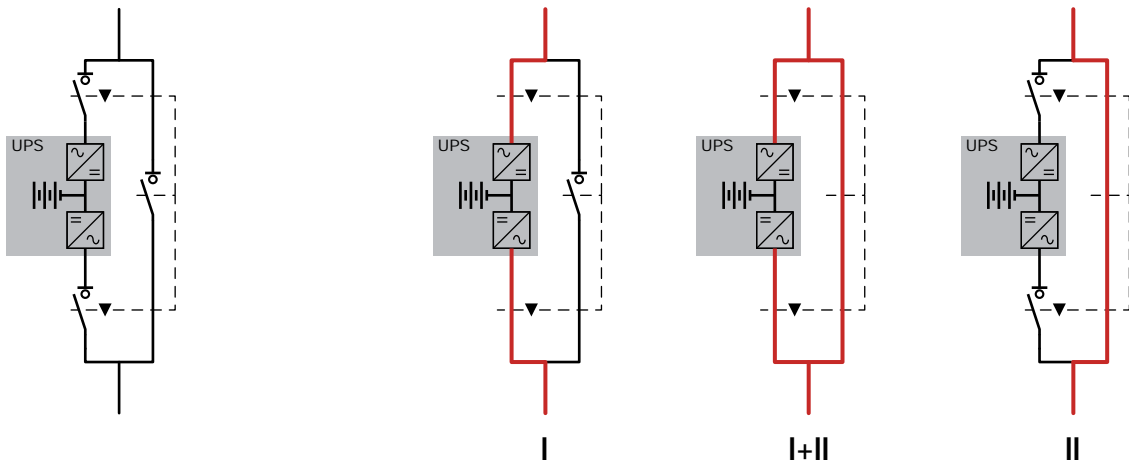
SIRCOVER Bypass I-I+II-II

Rating (A) / Frame size	No. of poles	Switch body	Direct handle	External handle	Shaft for external handle	Bridging bars	Auxiliary contact	Terminal shrouds	Terminal screens
125 A / B3	3 P	4190 7013	J2 type Blue 1122 1111	S2 type Blue IP 65 1423 2114 ⁽¹⁾	200 mm 1400 1020	3 P 2x 4109 3019		3 P 2694 3014 ⁽³⁾⁽⁴⁾	3 P 1509 3012
	4 P	4190 9013							
160 A / B3	3 P	4190 7016	Red 1123 1111		320 mm 1400 1032 ⁽¹⁾	4 P 2x 4109 4019		4 P 2694 4014 ⁽³⁾⁽⁴⁾	4 P 1509 4012
	4 P	4190 9016							
200 A / B3	3 P	4190 7020							
	4 P	4190 9020							
250 A / B4	3 P	4190 7025	J3 type Black 1132 1111	S3 type Blue IP65 1433 3114	200 mm 1401 1520	2x 4109 3025	1 st /2 nd NO/NC contact 4109 0021 ⁽²⁾	3 P 2694 3021 ⁽³⁾⁽⁴⁾	3 P 1509 3025
	4 P	4190 9025				2x 4109 4025			
400 A / B4	3 P	4190 7039			320 mm 1401 1532 ⁽¹⁾	2x 4109 3039		4 P 2694 4021 ⁽³⁾⁽⁴⁾	4 P 1509 4025
	4 P	4190 9039				2x 4109 4039			
500 A / B5	3 P	4190 7050				2x 4109 3050		3 P 2694 3051 ⁽³⁾⁽⁴⁾	3 P 1509 3063
	4 P	4190 9050				2x 4109 4050			
630 A / B5	3 P	4190 7063				2x 4109 3063		4 P 2694 4051 ⁽³⁾⁽⁴⁾	4 P 1509 4063
	4 P	4190 9063				2x 4109 4063			
800 A / B6	3 P	4190 7080	J4 type Black 1142 1111 ⁽⁵⁾	V2 type Black IP65 4199 7146	200 mm 2799 3015	2x 4109 3080			3 P 1509 3080
	4 P	4190 9080			2x 4109 4080				
1250 A / B6	3 P	4190 7120			320 mm 2799 3018 ⁽¹⁾	2x 4109 3120			4 P 1509 4080
	4 P	4190 9120			2x 4109 4120				
1600 A / B7	3 P	4190 7160			450 mm 2799 3019	2x 4109 3160			1509 3160
	4 P	4190 9160				2x 4109 4160			1509 4160

(1) Standard.
 (2) 2 contacts supplied: one for position I and one for position II.
 (3) To fully shroud the front and rear at the top and bottom, order quantity 6 or 4 if using bridging bars.
 (4) To shroud front switch top and bottom, order quantity 2.
 (5) Double lever handle.

Operating principle

SIRCOVER Bypass I-I+II-II



svr_228_a_1_x_cat.ai

Warning: Please note that in I+II position there is an overlapping.
 In case of UPS, make sure it is working on static bypass mode before operating.

SIRCOVER

Manual Transfer Switching Equipment
from 125 to 3200 A

Accessories

Direct operation handle

SIRCOVER I-0-II and I-I+II-II				
Rating (A)	Frame size	Handle colour	Handle type	Reference
125 ... 630	B3 ... B5	Blue	J2	1122 1111
125 ... 630	B3 ... B5	Red	J2	1123 1111
800 ... 1600	B6 ... B7	Blue	J3	1132 1111
2000 ... 3200	B8	Black	S5	2799 7042 ⁽¹⁾

SIRCOVER Bypass				
Rating (A)	Frame size	Handle colour	Handle type	Reference
125 ... 200	B3	Blue	J2	1122 1111
250 ... 630	B4 ... B5	Blue	J3	1132 1111
800 ... 1600	B6 ... B7	Blue	J4	1142 1111 ⁽¹⁾

(1) Double lever handle.



External operation handle

Use

Door interlocked external front operation handles include an escutcheon, are padlockable and must be utilised with an extension shaft.

SIRCOVER I-0-II and I-I+II-II					
Rating (A)	Frame size	Switching type	External IP ⁽¹⁾	Handle type	Reference
125 ... 630	B3 ... B5	I - 0 - II	IP55	S2	1421 2113
125 ... 630	B3 ... B5	I - 0 - II	IP65	S2	1423 2113
125 ... 630	B3 ... B5	I - I+II - II	IP65	S2	1423 2114
800 ... 1600	B6 ... B7	I - 0 - II	IP65	S4	1443 3113 ⁽²⁾
800 ... 1600	B6 ... B7	I - I+II - II	IP65	S4	1443 3114 ⁽²⁾
2000 ... 3200	B8	I - 0 - II	IP65	S5	1453 8113 ⁽²⁾

(1) IP: protection index according to IEC 60529.

(2) Double lever handle.

SIRCOVER Bypass					
Rating (A)	Frame size	Switching type	External IP ⁽¹⁾	Handle type	Reference
125 ... 200	B3	I - 0 - II	IP55	S2	1421 2113
125 ... 200	B3	I - 0 - II	IP65	S2	1423 2113
250 ... 630	B4 ... B5	I - 0 - II	IP65	S3	1433 3113
800 ... 1600	B6 ... B7	I - 0 - II	IP65	V2	4199 7146

(1) IP: protection index according to IEC 60529.



Alternative S type handle cover colours

Use

For single lever handles S2, S3 and for double lever handle S4.

Other colours available: consult us.

Colour	To be ordered in multiples of	Handle type	Reference
Light grey	50	S2, S3	1401 0001
Dark grey	50	S2, S3	1401 0011
Light grey	50	S4	1401 0031
Dark grey	50	S4	1401 0041



access_198_a_2_cat

S type handle adapter

Use

Enables S type handles to be fitted in place of existing older style SOCOMEC handles.

Adapter can also be utilised as a spacer to increase the distance between the panel door and the handle lever.

Dimensions

Add 12 mm to the handle depth.

Colour	To be ordered in multiples of	External IP ⁽¹⁾	Reference
Black	1	IP65	1493 0000

(1) IP: protection index according to IEC 60529.



access_187_a_1_cat

Shaft guide for external operation

Use

For use with S type handles, to guide the shaft extension into the external handle.

This accessory enables the handle to engage the extension shaft with a misalignment of up to 15 mm.

Recommended for a shaft length over 320 mm.

Designation	Reference
Shaft guide	1429 0000



access_260_a_2_cat

SIRCOVER

Manual Transfer Switching Equipment
from 125 to 3200 A

Accessories (continued)

Shaft for external operation

Use

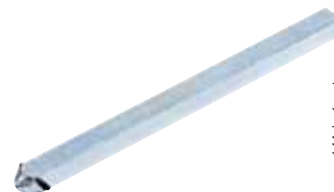
Standard lengths:

- 200 mm,
- 320 mm,
- 450 mm.

Other lengths available: consult us.



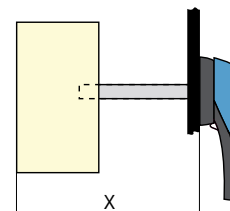
access_369_a_1_cat



access_144_b_1_cat

SIRCOVER I-0-II and I-I+II-II				
Rating (A)	Frame size	Length (mm)	Side X (mm)	Reference
125 ... 400	B3 ... B4	200	210 ... 310	1400 1020
125 ... 400	B3 ... B4	320	210 ... 430	1400 1032
500 ... 630	B5	200	280 ... 390	1400 1020
500 ... 630	B5	320	280 ... 510	1400 1032
800 ... 1600	B6 ... B7	200	425 ... 577	1401 1520
800 ... 1600	B6 ... B7	320	425 ... 697	1401 1532
2000 ... 3200	B8	200	653 ... 803	2799 3015
2000 ... 3200	B8	320	653 ... 923	2799 3018
2000 ... 3200	B8	450	653 ... 1053	2799 3019

SIRCOVER Bypass				
Rating (A)	Frame size	Length (mm)	Side X (mm)	Reference
125 ... 200	B3	200	320 ... 450	1400 1020
125 ... 200	B3	320	320 ... 570	1400 1032
250 ... 400	B4	200	298 ... 420	1401 1520
250 ... 400	B4	320	298 ... 540	1401 1532
500 ... 630	B5	200	417 ... 539	1401 1520
500 ... 630	B5	320	417 ... 659	1401 1532
800 ... 1600	B6 ... B7	200	550 ... 680	2799 3015
800 ... 1600	B6 ... B7	320	550 ... 800	2799 3018
800 ... 1600	B6 ... B7	450	550 ... 930	2799 3019



access_202_a_1_x_cat

Bridging bars

Use

For creating a common connection between switches I & II, on the top or bottom side of the SIRCOVER, to enable, for example, the load to be fed from either incoming source (I or II).

For SIRCOVER Bypass, two sets of bridging bars are required (3/6 pole or 4/8 pole switch).

Rating (A)	Frame size	No. of poles	Diameter (mm)	Reference
125 ... 200	B3	3 P	20 x 2.5	4109 3019
125 ... 200	B3	4 P	20 x 2.5	4109 4019
250	B4	3 P	25 x 2.5	4109 3025
250	B4	4 P	25 x 2.5	4109 4025
315 ... 400	B4	3 P	32 x 5	4109 3039
315 ... 400	B4	4 P	32 x 5	4109 4039
500	B5	3 P	32 x 5	4109 3050
500	B5	4 P	32 x 5	4109 4050
630	B5	3 P	50 x 5	4109 3063
630	B5	4 P	50 x 5	4109 4063
800 ... 1000	B6	3 P	50 x 6	4109 3080
800 ... 1000	B6	4 P	50 x 6	4109 4080
1250	B6	3 P	60 x 8	4109 3120
1250	B6	4 P	60 x 8	4109 4120
1600	B7	3 P	90 x 10	4109 3160
1600	B7	4 P	90 x 10	4109 4160

SIRCOVER I-0-II and SIRCOVER I-I+II-II



access_205_a_2_cat

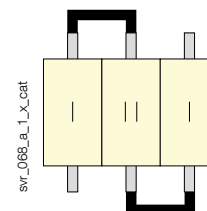
SIRCOVER Bypass



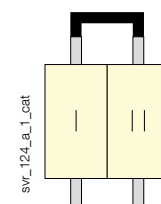
access_208_a_2_cat



access_041_a_1_cat



svr_068_a_1_x_cat



svr_124_a_1_cat

Copper bar connection pieces

Use

For ratings 2000 to 3200 A.

Enables:

- Flat connection: the connection pieces provide a link between the two power terminals of the same pole (Fig. 1).
- Edgewise connection: the connection pieces provide a link between the two power terminals of the same pole and an edgewise bar connection terminal.
- Top or bottom bridging between two poles (Fig. 3).

Once installed, the power terminal is connection ready.

For 3200 A rating, connection pieces (part A) are supplied as standard. Bolt sets must be ordered separately.

Connection: the quantities given in the below table refer to the number of pieces required per pole, top or bottom.

Bridging connection: the quantities given refer to the number of pieces required to complete a single bridging connection between two poles.

	Reference	2000 – 2500 A			3200 A		
		Fig. 1	Fig. 2	Fig. 3	Fig. 1	Fig. 2	Fig. 3
		Connection		Bridging connection I - II	Connection		Bridging connection I - II
Connection - part A	2619 1200	1	1		2 ⁽²⁾	included	
Bolt kit 35 mm - part B	2699 1201	1 ⁽¹⁾		2 ⁽²⁾	1 ⁽¹⁾		2 ⁽²⁾
Bolt kit 45 mm - part B	2699 1200	1 ⁽¹⁾			1 ⁽¹⁾		
T + Bolt kit - part C	2629 1200		1	1		1	1
Bracket + Bolt kit - part D	2639 1200		1			1	
Bar + Bolt kit - part E	4109 0320			1			1

(1) Choose the bolt length according to the thickness of the bars being connected; if bar thickness is greater than 20 mm, 45 mm bolts are required.

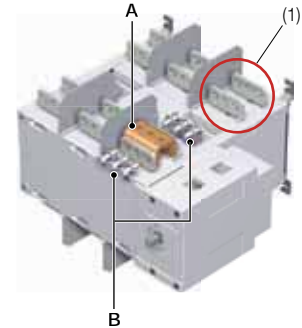
(2) For bridging connections, quantity 2 pieces are required for creating the link between the two power terminals of the same pole for switch bodies I and II.

The quantities of the applicable pieces then need to be multiplied by the number of connection points (power terminals) in order to determine the total quantity required of each part.

Example: for a 4 pole 2500 A SIRCOVER with upstream edgewise connection (Fig. 2) and downstream bridging (Fig. 3), the following quantities will be required:

Part	Upstream edgewise quantity	Downstream bridging quantity	Total quantity
A	8	8	16
B	0	8	8
C	8	4	12
D	8	0	8
E	0	4	4

Fig. 1



(1) Single pole connection: 1 pole (top or bottom) comprises two power terminals which are to be linked with the copper connection kit.

Fig. 2

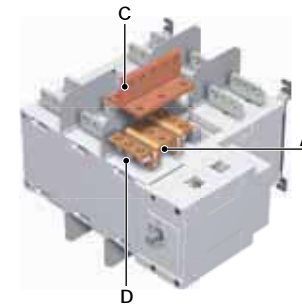
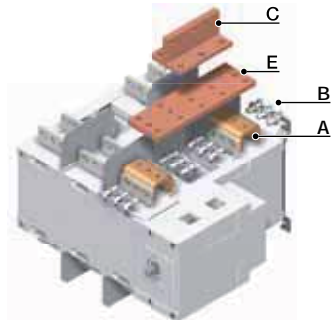


Fig. 3



access_457_a_1_x_cat

access_457_a_1_x_cat

access_230_c_1_x_cat

Auxiliary contact

Use

Pre-breaking and signalling of positions I and II: 1 to 2 NO/NC auxiliary contacts in each position.

Low level AC: consult us.

Connection to the control circuit

By 6.35 mm fast-on terminal.

Electrical characteristics

30,000 operations.

Characteristics

Rating (A)	Frame size	Nominal current (A)	Operating current I _e (A)			
			250 VAC AC-13	400 VAC AC-13	24 VDC DC-13	48 VDC DC-13
125 ... 3200	B3... B8	16	12	8	14	6

NO/NC changeover contact

Rating (A)	Frame size	Contact(s)	Reference
125 ... 1600	B3 ... B7	1 st / 2 nd	4109 0021
2000 ... 3200	B8	1 st / 2 nd	included



svr_065_a_1_cat

access_065_a_1_cat

SIRCOVER

Manual Transfer Switching Equipment
from 125 to 3200 A

Accessories (continued)

Terminal shrouds

Use

Protection against direct contact with terminals or connecting parts.

Advantage

Perforations allow remote thermographic inspection without the need to remove the shrouds.

Rating (A)	Frame size	No. of poles	Position	Reference
125 ... 200	B3	3 P	top / bottom / front (I) / rear (II)	2694 3014 ⁽¹⁾⁽²⁾
125 ... 200	B3	4 P	top / bottom / front (I) / rear (II)	2694 4014 ⁽¹⁾⁽²⁾
250 ... 400	B4	3 P	top / bottom / front (I) / rear (II)	2694 3021 ⁽¹⁾⁽²⁾
250 ... 400	B4	4 P	top / bottom / front (I) / rear (II)	2694 4021 ⁽¹⁾⁽²⁾
500 ... 630	B5	3 P	top / bottom / front (I) / rear (II)	2694 3051 ⁽¹⁾⁽²⁾
500 ... 630	B5	4 P	top / bottom / front (I) / rear (II)	2694 4051 ⁽¹⁾⁽²⁾



access_206_a_2_cat

(1) For complete shrouding at front, rear, top and bottom, order 4 x for a SIRCOVER and 6 x for a SIRCOVER Bypass; if equipped with bridging bars order 3 x for a SIRCOVER and 4 x for a SIRCOVER Bypass.

(2) For top and bottom shrouding for the front only, order 2 x for a SIRCOVER and a SIRCOVER Bypass.

Terminal screens

Use

Upstream and downstream protection against direct contact with terminals or connection parts. For upstream and downstream protection, order quantity 1.

Rating (A)	Frame size	No. of poles	Position	Reference
125 ... 200	B3	3 P	top / bottom	1509 3012
125 ... 200	B3	4 P	top / bottom	1509 4012
250 ... 400	B4	3 P	top / bottom	1509 3025
250 ... 400	B4	4 P	top / bottom	1509 4025
500 ... 630	B5	3 P	top / bottom	1509 3063
500 ... 630	B5	4 P	top / bottom	1509 4063
800 ... 1250	B6	3 P	top / bottom	1509 3080
800 ... 1250	B6	4 P	top / bottom	1509 4080
1600	B7	3 P	top / bottom	1509 3160
1600	B7	4 P	top / bottom	1509 4160
2000 ... 3200	B8	3 / 4 P	top / bottom	included



access_207_a_2_cat

Inter-phase barrier

Use

Safe isolation between the terminals, essential for use at 690 VAC or in a polluted or dusty atmosphere.

Rating (A)	Frame size	No. of poles	Reference
125 ... 200	B3	3 P	2998 0033
125 ... 200	B3	4 P	2998 0034
250 ... 400	B4	3 P	2998 0023
250 ... 400	B4	4 P	2998 0024
500 ... 630	B5	3 P	2998 0013
500 ... 630	B5	4 P	2998 0014
800 ... 3200	B6 ... B8	3/4 P	included

Key handle interlocking system

Padlocking in position I, 0 or II				
SIRCOVER Rating (A) / Frame size	SIRCOVER Bypass Rating (A) / Frame size	Operation	Figure	Reference
125 ... 630 / B3 ... B5	125 ... 200 / B3	external	1	1423 2813

Locking using RONIS EL11AP lock in position 0 (not included)				
SIRCOVER Rating (A) / Frame size	SIRCOVER Bypass Rating (A) / Frame size	Operation	Figure	Reference
125 ... 630 / B3 ... B5	125 ... 200 / B3	direct	2	4109 1006 ⁽¹⁾
	250 ... 630 / B4 ... B5	direct	3	consult us
800 ... 1600 / B6 ... B7	800 ... 1600 / B6 ... B7	direct	3	4109 1004 ⁽²⁾
2000 ... 3200 / B8		direct	3	4109 2007 ⁽²⁾
125 ... 630 / B3 ... B5	125 ... 630 / B3 ... B5	external	4	1499 7701 ⁽²⁾
2000 ... 3200 / B8	800 ... 1600 / B6 ... B7	external	4	2799 7002 ⁽²⁾

(1) Specific handle included.

(2) This locking facility can be configured by the user in the 3 positions.

Locking using RONIS EL11AP lock in position I, 0, II (not included)				
SIRCOVER Rating (A) / Frame size	SIRCOVER Bypass Rating (A) / Frame size	Operation	Figure	Reference
125 ... 630 / B3 ... B5	125 ... 200 / B3	direct	2	4109 1002 ⁽¹⁾
	250 ... 630 / B4 ... B5	direct	3	consult us
800 ... 1600 / B6 ... B7	800 ... 1600 / B6 ... B7	direct	3	4109 1004 ⁽²⁾
2000 ... 3200 / B8		direct	3	4109 2007 ⁽²⁾
125 ... 630 / B3 ... B5	125 ... 630 / B3 ... B5	external	4	1499 7701 ⁽²⁾
2000 ... 3200	800 ... 1600 / B6 ... B7	external	4	2799 7002 ⁽²⁾

(1) Specific handle included.

(2) This locking facility can be configured by the user in the 3 positions.

Locking using 230 VAC undervoltage coil in position 0 (factory fitted)				
SIRCOVER Rating (A) / Frame size	SIRCOVER Bypass Rating (A) / Frame size	Operation	Figure	Reference
800 ... 3200 / B6 ... B8	800 ... 1600 / B6 ... B7	direct	3	consult us

Locking using Type K CASTELL lock (not supplied)				
SIRCOVER Rating (A) / Frame size	SIRCOVER Bypass Rating (A) / Frame size	Operation	Figure	Reference
125 ... 1600 / B3 ... B7	125 ... 630 / B3 ... B5	external	4	1499 7702
2000 ... 3200 / B8	800 ... 1600 / B6 ... B7	external	4	2799 7003

Use

- Padlocked (padlock not included). This device is factory mounted in the direct or external operation handle and allows the use of up to 3 padlocks.
- Locking:
 - using lock (not supplied),
 - using undervoltage coil.
- The interlocking positions are either determined as standard or configured by the user by removing the pre-form tabs.
- Padlocking and locking can be combined.

Fig. 1

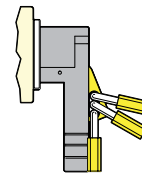


Fig. 2

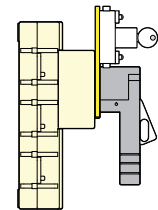
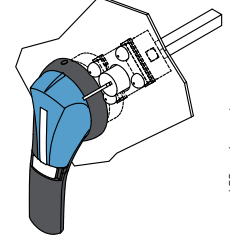


Fig. 3



Fig. 4



Other specific accessories



- Customised protection screens (for specific dimensions or high ambient temperatures).
- Connection accessories.
- Low level auxiliary contacts.

Characteristics according to IEC 60947-3 and IEC 60947-6-1

125 to 630 A

Thermal current I th at 40°C	125 A	160 A	200 A	250 A	315 A	400 A	500 A	630 A	
Frame size	B3	B3	B3	B4	B4	B4	B5	B5	
Rated insulation voltage U _i (V)	800	800	800	1000	1000	1000	1000	1000	
Rated impulse withstand voltage U _{imp} (kV)	8	8	8	12	12	12	12	12	
Rated operational currents I _e (A) according to IEC 60947-6-1									
Rated voltage	Utilisation category	A/B ⁽¹⁾	A/B ⁽¹⁾	A/B ⁽¹⁾	A/B ⁽¹⁾	A/B ⁽¹⁾	A/B ⁽¹⁾	A/B ⁽¹⁾	
415 VAC	AC-31 B	125	160	200	250	315	400	500	630
415 VAC	AC-32 B				200	315	400	500	500
415 VAC	AC-33 B				200	200	200	400	400
Rated operational currents I _e (A) according to IEC 60947-3									
Rated voltage	Utilisation category	A/B ⁽¹⁾	A/B ⁽¹⁾	A/B ⁽¹⁾	A/B ⁽¹⁾	A/B ⁽¹⁾	A/B ⁽¹⁾	A/B ⁽¹⁾	A/B ⁽¹⁾
415 VAC	AC-21 A / AC-21 B	125/125	160/160	200/200	250/250	315/315	400/400	500/500	630/630
415 VAC	AC-22 A / AC-22 B	125/125	160/160	200/200	250/250	315/315	400/400	500/500	630/630
415 VAC	AC-23 A / AC-23 B	125/125	160/160	200/200	200/200	315/315	400/400	500/500	500/630
500 VAC	AC-21 A / AC-21 B	125/125	160/160	200/200	250/250	315/315	400/400	500/500	630/630
500 VAC	AC-22 A / AC-22 B	125/125	160/160	200/200	200/250	200/315	200/400	500/500	500/500
500 VAC	AC-23 A / AC-23 B	80/80	80/80	80/80	200/200	200/200	200/200	400/400	400/400
690 VAC ⁽³⁾	AC-21 A / AC-21 B	125/125	160/160	200/200	200/200	200/200	200/200	500/500	500/500
690 VAC ⁽³⁾	AC-22 A / AC-22 B	125/125	125/125	125/125	160/160	160/160	160/160	400/400	400/400
690 VAC ⁽³⁾	AC-23 A / AC-23 B	63/80	63/80	63/80	125/125	125/125	125/125	400/400	400/400
220 VDC	DC-21 A / DC-21 B	125/125	160/160	200/200	250/250	250/250	250/250	500/500	630/630
220 VDC	DC-22 A / DC-22 B	125/125	160/160	200/200	250/250	250/250	250/250	500/500	630/630
220 VDC	DC-23 A / DC-23 B	125/125	125/125	125/125	200/200	200/200	200/200	500/500	630/630
440 VDC ⁽²⁾	DC-21 A / DC-21 B	125/125	125/125	125/125	200/200	200/200	200/200	500/500	630/630
440 VDC ⁽²⁾	DC-22 A / DC-22 B	125/125	125/125	125/125	200/200	200/200	200/200	500/500	630/630
440 VDC ⁽²⁾	DC-23 A / DC-23 B	125/125	125/125	125/125	200/200	200/200	200/200	500/500	630/630
Operation power in AC-23 (kW) ⁽⁴⁾									
At 415 VAC without AC pre-break		58/58	75/75	100/100	100/100	145/145	190/190	235/235	235/280
At 690 VAC without AC pre-break		50/62	50/62	50/62	90/90	90/90	90/90	310/310	310/310
Reactive power (kvar) ⁽⁴⁾									
At 415 VAC (kvar)		60/60	75/75	100/100	125/125	150/150	200/200	250/250	250/300
Fuse protected short-circuit withstand as per IEC 60947-3 (kA rms prospective)									
Prospective short-circuit current with gG DIN fuses at 415 VAC (kA rms)		100	100	50	50	50	50	50	50
Prospective short-circuit current with gG DIN fuses at 690 VAC (kA rms)					50	50	50	50	50
Associated fuse rating (A)		125	160	200	250	315	400	500	630
Short-circuit withstand without protection as per IEC 60947-3									
Rated short-time withstand current 0.3s I _{cw} at 415 VAC (kA rms)		12	12	12	15 ⁽⁵⁾	15 ⁽⁵⁾	15 ⁽⁵⁾	17 ⁽⁵⁾	17 ⁽⁵⁾
Rated short-time withstand current 1s I _{cw} at 415 VAC (kA rms)		7	7	7	8 ⁽⁵⁾	8 ⁽⁵⁾	8 ⁽⁵⁾	11 ⁽⁵⁾	10 ⁽⁵⁾
Rated peak withstand current at 415 VAC (kA peak)		20	20	20	30	30	30	45	45
Short-circuit withstand without protection as per IEC 60947-6-1									
Rated short-time withstand current 30 ms I _{cw} at 415 VAC (kA rms)		10	10	10	10	10	10		
Rated short-time withstand current 60 ms I _{cw} at 415 VAC (kA rms)								10	12.6
Connection									
Minimum Cu cable cross-section as per IEC 60947-1 (mm ²)		35	35	50	95	120	185	2 x 95	2 x 120
Recommended Cu busbar cross-section (mm ²)								2 x 32 x 5	2 x 40 x 5
Maximum Cu cable cross-section (mm ²)		50	95	120	150	240	240	2 x 185	2 x 300
Maximum Cu busbar width (mm)		25	25	25	32	32	32	50	50
Min./max. tightening torque (Nm)		9/13	9/13	9/13	20/26	20/26	20/26	20/26	20/26
Mechanical specifications									
Durability (number of operating cycles)		10,000	10,000	10,000	8,000	8,000	8,000	5,000	5,000
Weight 3 P (kg)		2.9	2.9	2.9	3.8	3.9	3.9	8.6	9.1
Weight 4 P (kg)		4.1	4.1	4.1	4.6	4.9	4.9	10.4	11.1

(1) Category with index A = frequent operation - Category with index B = infrequent operation.

(2) 3-pole device with 2 pole in series for the "+" an 1 pole for the "-".

4-pole device with 2 poles in series by polarity.

(3) Interphase barriers must be installed on the products.

(4) The power value is given for information only, the current values vary from one manufacturer to another.

(5) Values given at 690 VAC.

800 to 3200 A

Thermal current I th at 40°C	800 A	1000 A	1250 A	1600 A	2000 A	2500 A	3200 A
Frame size	B6	B6	B6	B7	B8	B8	B8
Rated insulation voltage U _i (V)	1000	1000	1000	1000	1000	1000	1000
Rated impulse withstand voltage U _{imp} (kV)	12	12	12	12	12	12	12

Rated operational currents I_e (A) according to IEC 60947-6-1

Rated voltage	Utilisation category	A/B ⁽¹⁾	A/B ⁽¹⁾	A/B ⁽¹⁾	A/B ⁽¹⁾	A/B ⁽¹⁾	A/B ⁽¹⁾	A/B ⁽¹⁾
415 VAC	AC-31 B	800	1000	1250	1600	2000	2500	3200
415 VAC	AC-32 B	800	1000	1250	1250	2000	2000	2000
415 VAC	AC-33 B	800	1000	1000	1000	1250	1250	1250

Rated operational currents I_e (A) according to IEC 60947-3

Rated voltage	Utilisation category	A/B ⁽¹⁾	A/B ⁽¹⁾	A/B ⁽¹⁾	A/B ⁽¹⁾	A/B ⁽¹⁾	A/B ⁽¹⁾	A/B ⁽¹⁾
415 VAC	AC-21 A / AC-21 B	800/800	1000/1000	1250/1250	1600/1600	-/2000	-/2500	-/3200
415 VAC	AC-22 A / AC-22 B	800/800	1000/1000	1250/1250	1600/1600	-/2000	-/2500	-/3200
415 VAC	AC-23 A / AC-23 B	800/800	1000/1000	1250/1250	1250/1250	-/1600	-/1600	-/1600
500 VAC	AC-21 A / AC-21 B	800/800	1000/1000	1250/1250	1600/1600	-/2000	-/2000	-/2000
500 VAC	AC-22 A / AC-22 B	630/630	800/800	1000/1000	1600/1600			
500 VAC	AC-23 A / AC-23 B	630/630	630/630	800/800	1000/1000			
690 VAC ⁽³⁾	AC-21 A / AC-21 B	800/800	1000/1000	1250/1250	1600/1600	-/2000	-/2000	-/2000
690 VAC ⁽³⁾	AC-22 A / AC-22 B	630/630	800/800	1000/1000	1000/1000			
690 VAC ⁽³⁾	AC-23 A / AC-23 B	630/630	630/630	800/800	800/800			
220 VDC	DC-21 A / DC-21 B	800/800	1000/1000	1250/1250	1250/1250			
220 VDC	DC-22 A / DC-22 B	800/800	1000/1000	1250/1250	1250/1250			
220 VDC	DC-23 A / DC-23 B	800/800	1000/1000	1250/1250	1250/1250			
440 VDC ⁽²⁾	DC-21 A / DC-21 B	800/800	1000/1000	1250/1250	1250/1250			
440 VDC ⁽²⁾	DC-22 A / DC-22 B	800/800	1000/1000	1250/1250	1250/1250			
440 VDC ⁽²⁾	DC-23 A / DC-23 B	800/800	1000/1000	1250/1250	1250/1250			

Operation power in AC-23 (kW)⁽⁴⁾

At 415 VAC without AC pre-break	375/375	450/450	560/560	560/560	-/710	-/710	-/710
At 690 VAC without AC pre-break	475/475	475/475	620/620	620/620			

Reactive power (kvar)⁽⁴⁾

At 415 VAC (kvar)	400/400	500/500	650/650	650/650	-/850	-/850	-/850
-------------------	---------	---------	---------	---------	-------	-------	-------

Fuse protected short-circuit withstand as per IEC 60947-3 (kA rms prospective)

Prospective short-circuit current with gG DIN fuses at 415 VAC (kA rms)	50	50	100	100			
Prospective short-circuit current with gG DIN fuses at 690 VAC (kA rms)	50	50	50				
Associated fuse rating (A)	800	1000	1250	2x800			

Short-circuit withstand without protection as per IEC 60947-3

Rated short-time withstand current 0.3s I _{cw} at 415 VAC (kA rms)	64	64	64	78	78	78	78
Rated short-time withstand current 1s I _{cw} at 415 VAC (kA rms)	35	35	35	50	50	50	50
Rated peak withstand current at 415 VAC (kA peak)	55	55	80	110	120	120	120

Short-circuit withstand without protection as per IEC 60947-6-1

Rated short-time withstand current 30 ms I _{cw} at 415 VAC (kA rms)							
Rated short-time withstand current 60 ms I _{cw} at 415 VAC (kA rms)	20	20	25	32	50	50	50

Connection

Minimum Cu cable cross-section as per IEC 60947-1 (mm ²)	2 x 185						
Recommended Cu busbar cross-section (mm ²)	2 x 50 x 5	2 x 63 x 5	2 x 60 x 7	2 x 100 x 5	3 x 100 x 5	2 x 100 x 10	3 x 10 x 100
Maximum Cu cable cross-section (mm ²)	4 x 185	4 x 185	4 x 185	6 x 185			
Maximum Cu busbar width (mm)	63	63	63	100	100	100	100
Min./max. tightening torque (Nm)	20/26	20/26	20/26	40/45	40/45	40/45	40/45

Mechanical specifications

Durability (number of operating cycles)	4,000	4,000	4,000	3,000	3,000	3,000	3,000
Weight 3 P (kg)	20.5	21.0	21.6	25.7	42.0	42.0	52.3
Weight 4 P (kg)	24.8	25.6	26.2	32.0	52.9	52.9	66.6

(1) Category with index A = frequent operation - Category with index B = infrequent operation.

(2) 3-pole device with 2 pole in series for the "+" an 1 pole for the "-".

4-pole device with 2 poles in series by polarity.

(3) Interphase barriers must be installed on the products.

(4) The power value is given for information only, the current values vary from one manufacturer to another.

(5) Values given at 690 VAC.

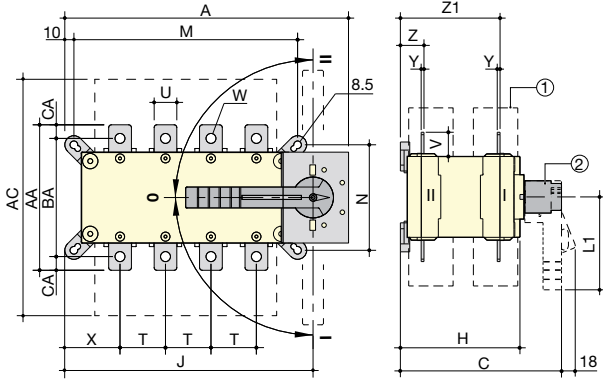
SIRCOVER

Manual Transfer Switching Equipment
from 125 to 3200 A

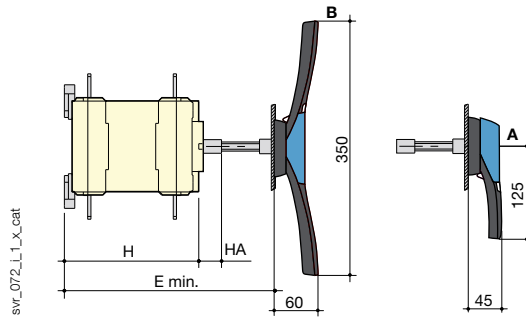
Dimensions

SIRCOVER 125 to 1600 A / B3 to B7

Direct front operation



External front operation



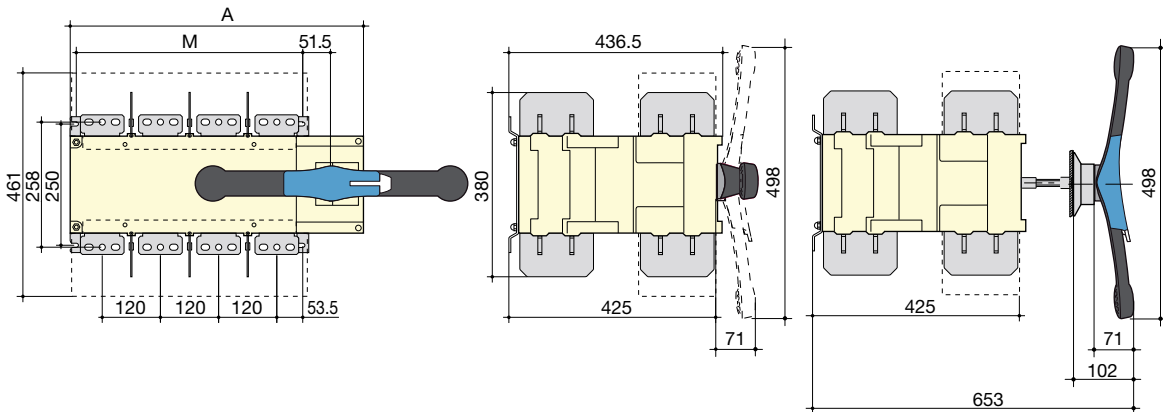
A. S2 type handle for external operation: 125 to 630 A
B. S4 type handle for external operation: 800 to 1600 A

1. Terminal shrouds
2. Direct operation handle:
 - 125 to 630 A: L1 = 140 mm,
 - 800 to 1600 A: L1 = 210 mm.

Rating (A)/ Frame size	Overall dimensions				Terminal shrouds	Switch body				Switch mounting				Connection										
	A 3p.	A 4p.	C	E min		AC	H	HA	J 3p.	J 4p.	M 3p.	M 4p.	N	T	U	V	W	X 3p.	X 4p.	Y	Z	Z1	AA	BA
125 / B3	221	251	218	208 ... 436	235	148	25	182	212	156	186	101	36	20	25	8.5	56	50	3.5	28	124	135	115	10
160 / B3	221	251	218	208 ... 436	235	148	25	182	212	156	186	101	36	20	25	8.5	56	50	3.5	28	124	135	115	10
200 / B3	221	251	218	208 ... 436	235	148	25	182	212	156	186	101	36	20	25	8.5	56	50	3.5	28	124	135	115	10
250 / B4	262	312	218	208 ... 436	280	148	25	223	273	196	246	116	50	25	30	11	61	61	3.5	30	124	160	130	15
315 / B4	262	312	218	208 ... 436	280	148	25	223	273	196	246	116	50	35	35	11	61	61	3.5	30	124	170	140	15
400 / B4	262	312	218	208 ... 436	280	148	25	223	273	196	246	116	50	35	35	11	61	61	3.5	30	124	170	140	15
500 / B5	319	379	295	285 ... 513	401	225	25	272	332	246	306	176	65	32	37	13	70.5	65.5	5	43	180	235	205	15
630 / B5	319	379	295	285 ... 513	400	225	25	272	332	246	306	176	65	45	50	13	70.5	65.5	5	43	180	260	220	20
800 / B6	386	466	375	425 ... 577	459	298	29	306.5	386.5	255	336	250	80	50	60.5	15	48	48	7	66.5	253.5	321		26.5
1000 / B6	386	466	375	425 ... 577	459	298	29	306.5	386.5	255	336	250	80	50	60.5	15	48	48	7	66.5	253.5	321		26.5
1250 / B6	386	466	375	425 ... 577	459	298	29	306.5	386.5	255	336	250	80	60	65	16x11	48	48	7	66.5	255.5	330		29.5
1600 / B7	478	598	375	425 ... 577	461	298	29	388.5	518.5	347	467	250	120	90	43.5	12.5x5	54	54	8	66.5	255.5	288		15

SIRCOVER 2000 to 3200 A / B8

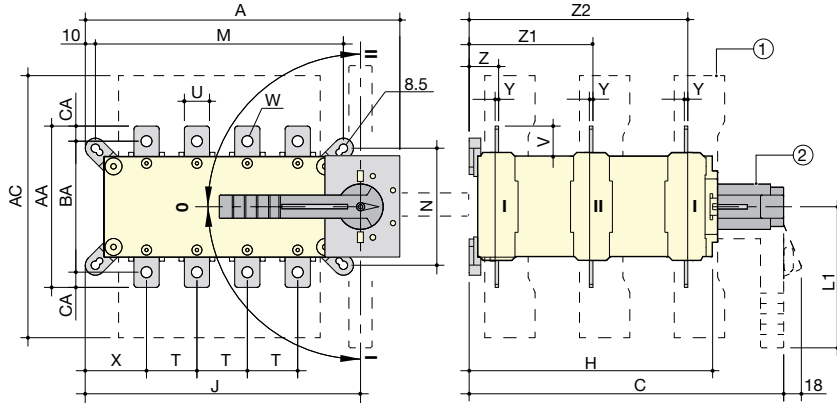
Direct front operation



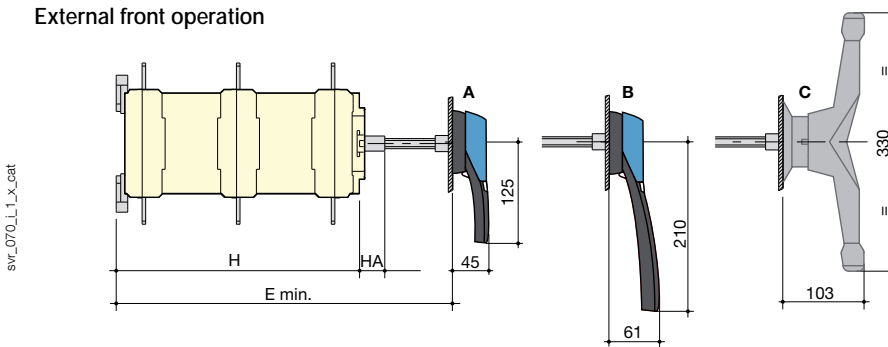
Rating (A) / Frame size	Overall dimensions		Switch mounting	
	A 3p.	A 4p.	M 3p.	M 4p.
2000 ... 3200 / B8	478	598	347	467

SIRCOVER Bypass 125 to 1600 A / B3 to B7

Direct front operation



External front operation



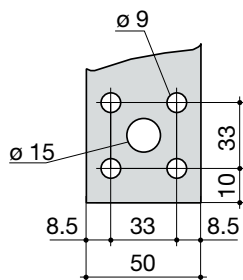
A. S2 type handle for external operation: 125 to 200 A
B. S3 type handle for external operation: 250 to 630 A
C. External double lever handle: 800 to 1600 A

1. Terminal shrouds
2. Direct operation handle:
- 125 to 200 A: L1 = 140 mm,
- 250 to 630 A: L1 = 210 mm,
- 800 to 1600 A: L1 = diameter 330 mm.

Rating (A) / Frame size	Overall dimensions				Terminal shrouds	Switch body				Switch mounting				Connection											
	A 3+6p.	A 4+8p.	C	E min.		AC	H	HA	J 3+6p.	J 4+8p.	M 3+6p.	M 4+8p.	N	T	U	V	W	X 3+6p.	X 4+8p.	Y	Z	Z1	Z2	AA	BA
125 / B3	221	251	313	320	235	243	25	182	212	156	186	101	36	20	25	8.5	56	50	3.5	28	124	219	135	115	10
160 / B3	221	251	313	320	235	243	25	182	212	156	186	101	36	20	25	8.5	56	50	3.5	28	124	219	135	115	10
200 / B3	221	251	313	320	235	243	25	182	212	156	186	101	36	20	25	8.5	56	50	3.5	28	124	219	135	115	10
250 / B4	262	312	313	298	280	243	25	223	273	196	246	116	50	25	30	11	61	61	3.5	30	124	219	160	130	10
400 / B4	262	312	313	298	280	243	25	223	273	196	246	116	50	35	35	11	61	61	3.5	30	124	219	170	140	15
500 / B5	319	379	432	417	401	362	25	272	332	246	306	176	65	32	37	13	70.5	65.5	5	43	180	317	235	205	15
630 / B5	319	379	432	417	400	362	25	272	332	246	306	176	65	45	50	13	70.5	65.5	5	43	180	317	260	220	20
800 / B6	386	466	560	550	459	479	29	306.5	386.5	255	335	250	80	50	60.5	15	48	48	7	66.5	253.5	439.5	321		26.5
1250 / B6	386	466	560	550	459	479	29	306.5	386.5	255	335	250	80	60	65	16x11	48	48	7	66.5	253.5	439.5	320		29.25
1600 / B7	478	598	560	550	461	479	29	388.5	518.5	347	467	250	120	90	43.5	12.5x5	54	54	8	66.5	253.5	439.5	288		15

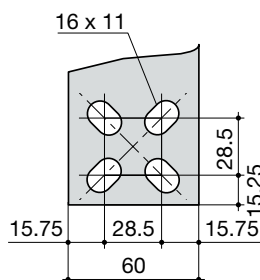
Connection terminals

SIRCOVER and SIRCOVER Bypass 800 A / B6



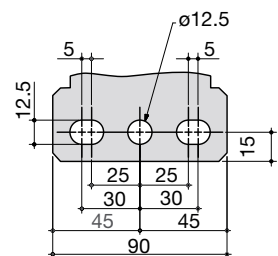
svr_077_a_1_x_cat

SIRCOVER and SIRCOVER Bypass 1250 A / B6



svr_078_b_1_x_cat

SIRCOVER 1600 to 3200 A / B7 to B8
SIRCOVER Bypass 1600 A / B7



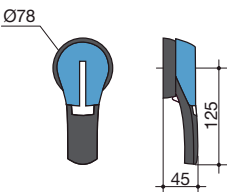
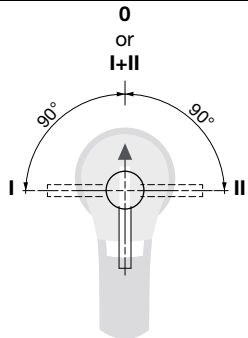
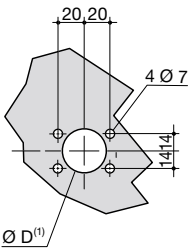
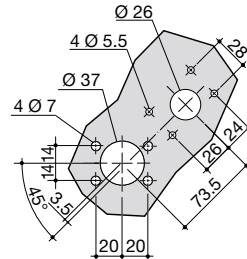
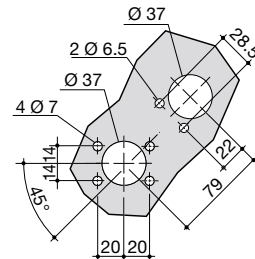
svr_088_a_1_x_cat

SIRCOVER

Manual Transfer Switching Equipment
from 125 to 3200 A

Dimensions for external handles

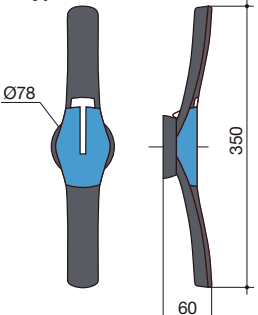
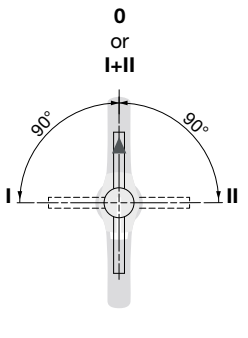
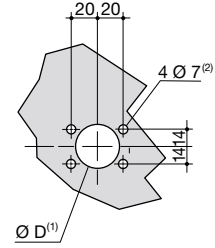
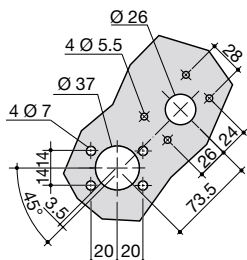
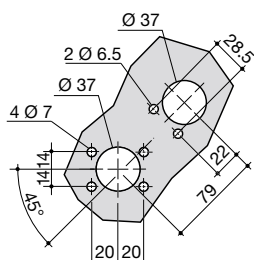
SIRCOVER 125 to 630 A / B3 to B5

Handle type	Front operation Direction of operation	Door drilling		
S2 type 			With lock RONIS EL11AP 	With lock CASTELL K 

(1) Ø31 to Ø37: rear screw mounting,
Ø37: front clip mounting.

poign_030_a_1_gb_cat

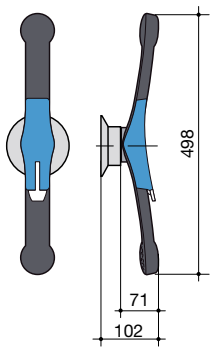
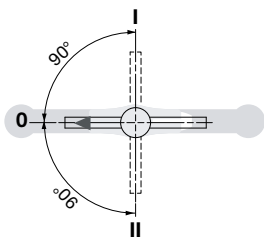
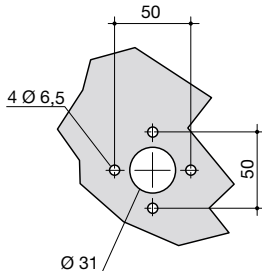
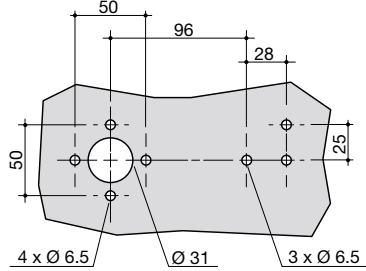
SIRCOVER 800 to 1600 A / B6 to B7

Handle type	Front operation Direction of operation	Door drilling		
S4 type 			With lock RONIS EL11AP 	With lock CASTELL K 

(1) Ø31 to Ø37: rear screw mounting,
Ø37: front clip mounting.
(2) Ø6 to Ø7: clip mounting

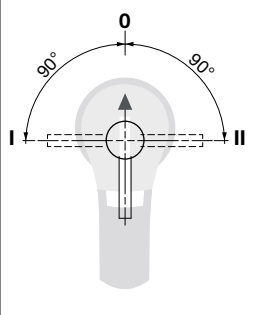
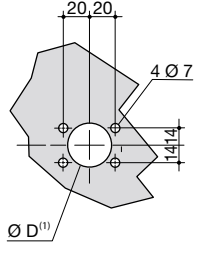
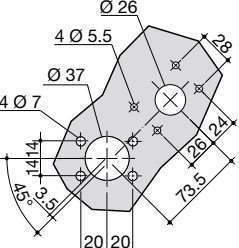
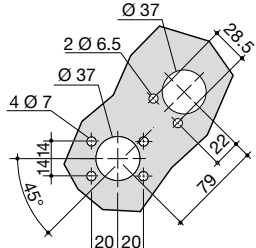
poign_031_a_1_gb_cat

SIRCOVER 2000 to 3200 A / B8

Handle type	Front operation Direction of operation	Door drilling	
S5 type with V Escutcheon 			With lock CASTELL K 

poign_023_a_1_gb_cat

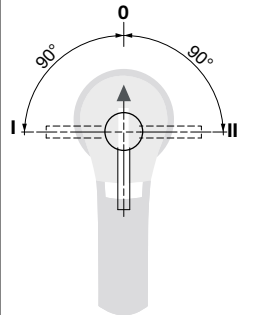
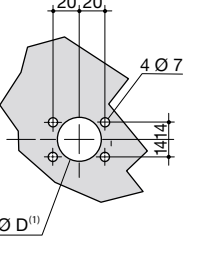
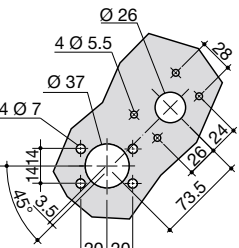
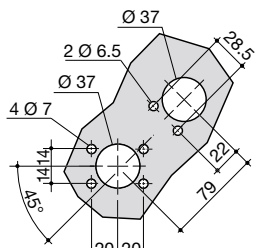
SIRCOVER Bypass 125 to 200 A / B3

Handle type	Front operation Direction of operation	Door drilling	
S2 type			<div style="display: flex; justify-content: space-around;"> <div> <p>With lock RONIS EL11AP</p>  </div> <div> <p>With lock CASTELL K</p>  </div> </div>

(1) Ø31 to Ø37: rear screw mounting,
Ø37: front clip mounting.

poign_032_a_1_gb_cat

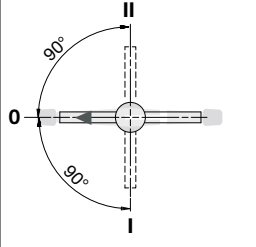
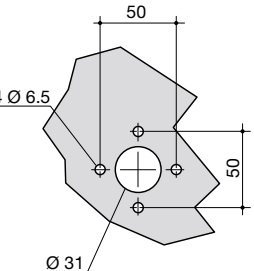
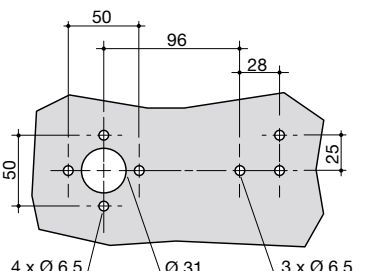
SIRCOVER Bypass 250 to 630 A / B4 to B5

Handle type	Front operation Direction of operation	Door drilling	
S3 type			<div style="display: flex; justify-content: space-around;"> <div> <p>With lock RONIS EL11AP</p>  </div> <div> <p>With lock CASTELL K</p>  </div> </div>

(1) Ø31 to Ø37: rear screw mounting,
Ø37: front clip mounting.

poign_033_a_1_gb_cat

SIRCOVER Bypass 800 to 1600 A / B6 to B7

Handle type	Front operation Direction of operation	Door drilling	
C type			<p>With lock CASTELL K</p> 

poign_022_a_1_gb_cat